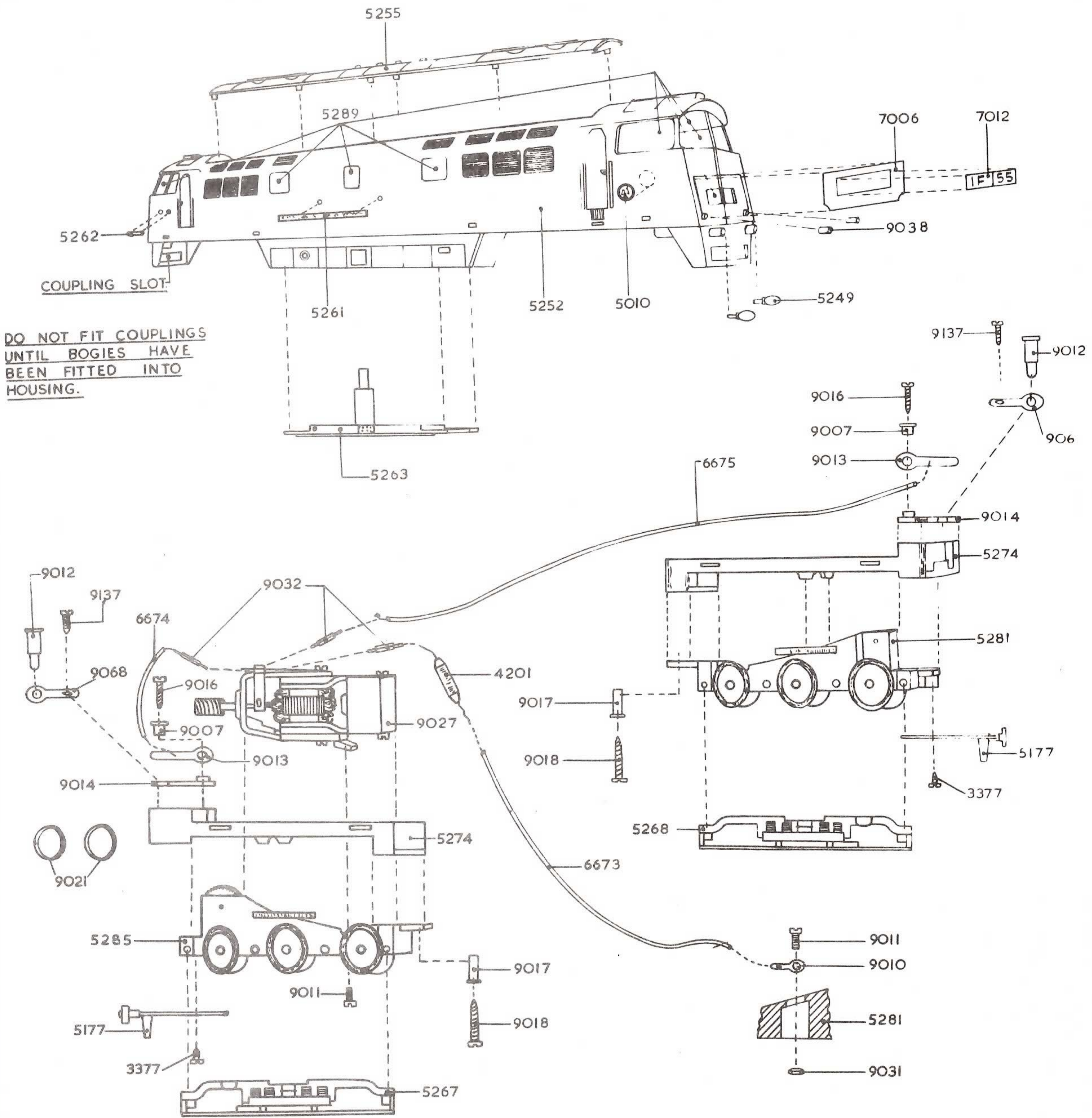
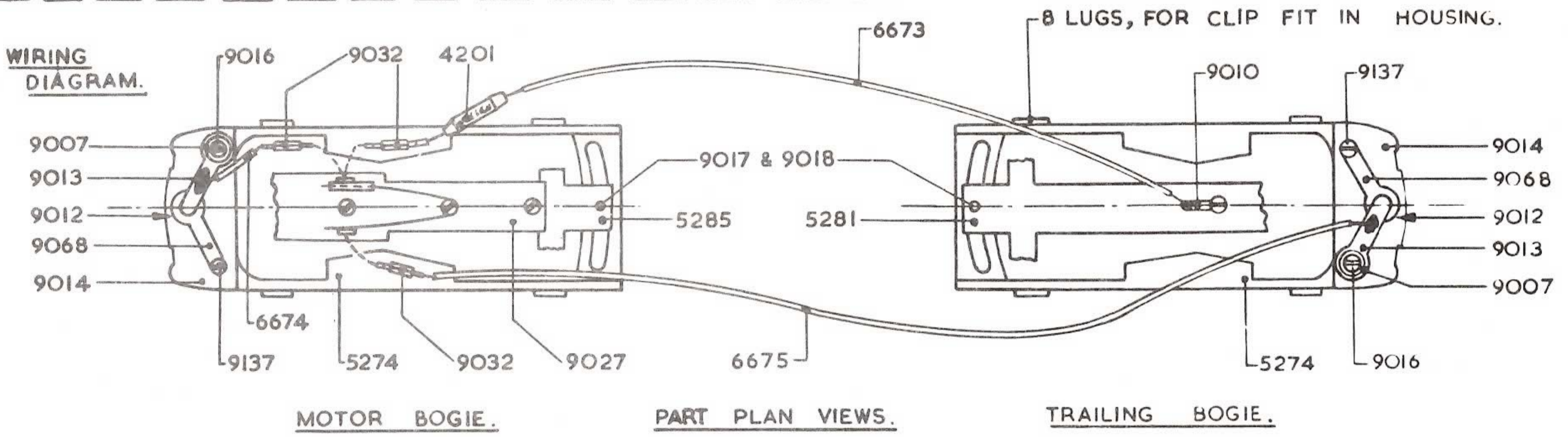


TRIX THE FOOTPLATEMAN.
D1000 CLASS DIESEL LOCOMOTIVE -2167-2 RAIL.



DO NOT FIT COUPLINGS UNTIL BOGIES HAVE BEEN FITTED INTO HOUSING.



COMPONENT LIST.					
5252	HOUSING.	1	5281	TRAIL. BOGIE.	1
5255	ROOF.	1	5285	MOT. BOGIE.	1
5261	NAMEPLATE.	2	9021	TYRE.	2
5262	NO. PLATE.	2	9027	MOTOR.	1
5289	WINDOWS.	1 (SET)	9011	SCREW	2
5249	BUFFER.	4	9007	BUSH.	2
9038	HEADLAMP.	4	9014	COVERPLATE	2
5010	B.R. CREST.	2	9068	CONTACT (2 HOLES)	2
7006	YELLOW LABEL.	2	9013	CONTACT (1 HOLE)	2
7012	ROUTE NO.	2	9012	BULB.	2
5267	SIDEFRAME.	2	9017	EYELET	2
5268	SIDEFRAME.	2	9018	SCREW.	2
5274	SUPP. FRAME.	2	3377	SCREW.	2
			9016	SCREW.	2
			9137	SCREW	2
			9031	NUT.	1
			9032	CONTACT	3
			9010	SOLD TAG.	1
			4201	CHOKE	1
			5263	CENTRE FLOOR	1
			6673	BLACK LEAD.	1 (6")
			6674	RED LEAD	1 (3")
			6675	RED LEAD.	1 (8")
			5177	COUPLING.	2