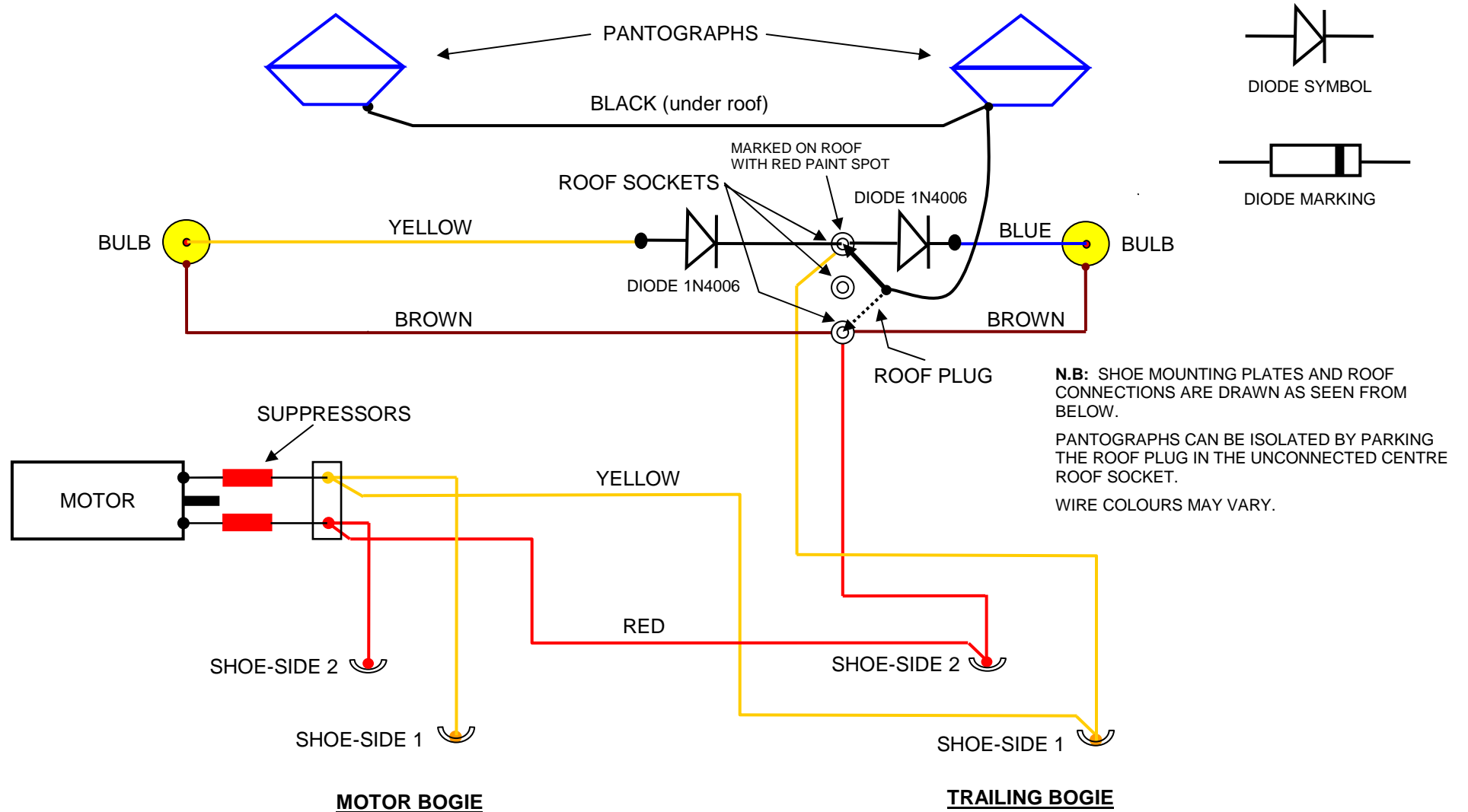


# EM 1 Bo-Bo Wiring Diagram with changeover headlights



FOR OPERATING INSTRUCTIONS AND SETTING UP THE CATENARY OVERHEAD POWER SYSTEM, REFER TO TTR INSTRUCTION LEAFLET IL 1042 (PRINTED, NORTHAMPTON 1959)